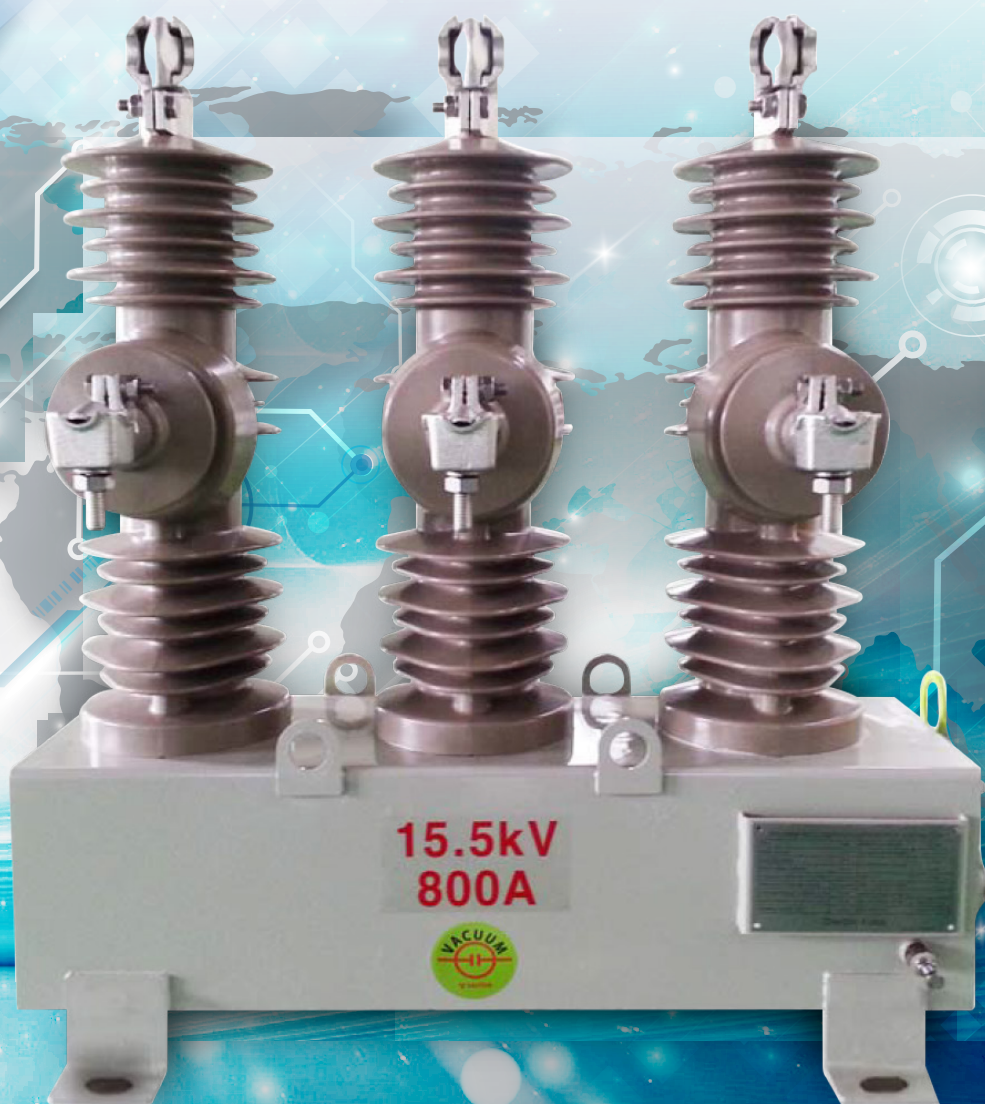


Green Recloser Automatic Circuit Solid Recloser



RATINGS

Maximum System Voltage	kV	15.5	27	38
Rated Current	A	800	800	800
Rated Frequency	Hz	50/60	50/60	50/60
Mechanical Operation	C-O	10,000	10,000	10,000
Breaking Capacity				
Rated Symmetrical Interrupting Current	kA	16	16	16
Short Time Withstand Current (3sec)	kA	16	16	16
Making Current (peak)	kA	40	40	40
Cable Charging Current	A	10	25	40
Line Charging Current	A	2	5	5
Impulse Basic Insulation Level (1.2 x 50us)				
Phase to Earth	kV BIL	110	150	170
Across Interrupter	kV BIL	110	150	170
Power Frequency Insulation Level				
Phase to Earth	kV	50	60	70
Across Interrupter	kV	50	60	70
Operation Control Cabinet	V	AC 220V or AC 120		
	V	DC 24		
Ambient Temperature	°C	-30 ~ +70		

KEY FEATURES

- / Solid insulation – environmentally friendly product.
- / Magnetic Actuator Mechanism, Vacuum Interrupter.
- / Maintenance free during its entire lifetime / long mechanical and interrupting life.
- / Compact design.
- / Six voltage sensors – three source and three load.
- / Phase fault, Ground fault, SEF & Under/Over Frequency, Under/Over Voltage.
- / Cold load pickup, Inrush restraints, Phase sync. Check, Hot line tag.
- / 58 TC curves (IEC, ANSI, Recloser-Innate, User defined curves).
- / USB port plus RS232 ports for communication and SCADA System

EPOXY DIELECTRIC GREEN RECLOSER

Insulation Material

- / Hydrophobic Cycloaliphatic Epoxy.
- / Light weight & compact design for easy handling and installation.
- / Improved performance in heavily polluted area.
- / Increased weather durability and improved aging.

Integrated sensors

- / 3 numbers of Imbedded Current Transformer.
- / 6 numbers of Imbedded Capacitive Voltage Divider.

Mechanism

- / Magnetic Actuator.
- / Simple design.
- / No power required to hold contacts in closed.
- / Direct force applied (no linkage between Magnetic Actuator and Vacuum Interrupter).

Vacuum Interrupter

- / High interrupting capacity.
- / Very compact design.
- / Low chopping current, limiting inductive switching overvoltage to safe values.
- / Axial magnetic field minimizing contact erosion and ensures a very long an reliable.

CONTROL CABINET

PROTECTION

- / Fault Detection
 - Definite Time Protection / High Current Trip / Single shot Operation.
 - TC curve (IEC ,ANSI/IEEE, US Standard TC curves, User curves).
- / Cold Load Pickup
- / Sensitive Earth Fault Detection
- / Directional (Bi-directional)
- / Inrush Restraints
- / Open line detection (Loss of phase)
- / Phase sync check
- / Under/Over Voltage
- / Under/Over Frequency
- / Auto Reclosing Sequence
 - 1st : 0.5-180 / 2nd : 1-180 / 3rd : 1-180, Reset time : 3-180 (Unit – second)
- / Dead Time (0.5 -180 seconds)
- / Multiple Protection Groups

CONTROL CABINET

MEASUREMENT

- Voltage, Current, Active power, Reactive power, Power factor, Frequency, Energy, Harmonic, Demand Current and Power.

COMMUNICATION

- Telecommunication Port.
 - RS232C, RS232/RS485, Ethernet(TCP/IP)-option.

RECORDING

- Event recording.
 - I/O(1023 events), Function(1023), System(255), Fault(255), PQM(255), Demand I, P, Q Events(1023), Max. I,P,Q Event(1023).
- Waveform event recording.
 - 128 samples, 20 cycles (64 samples/40 cycles, 32 samples/80cycles, 16 samples/160cycles)
- COMTRADE file format rule

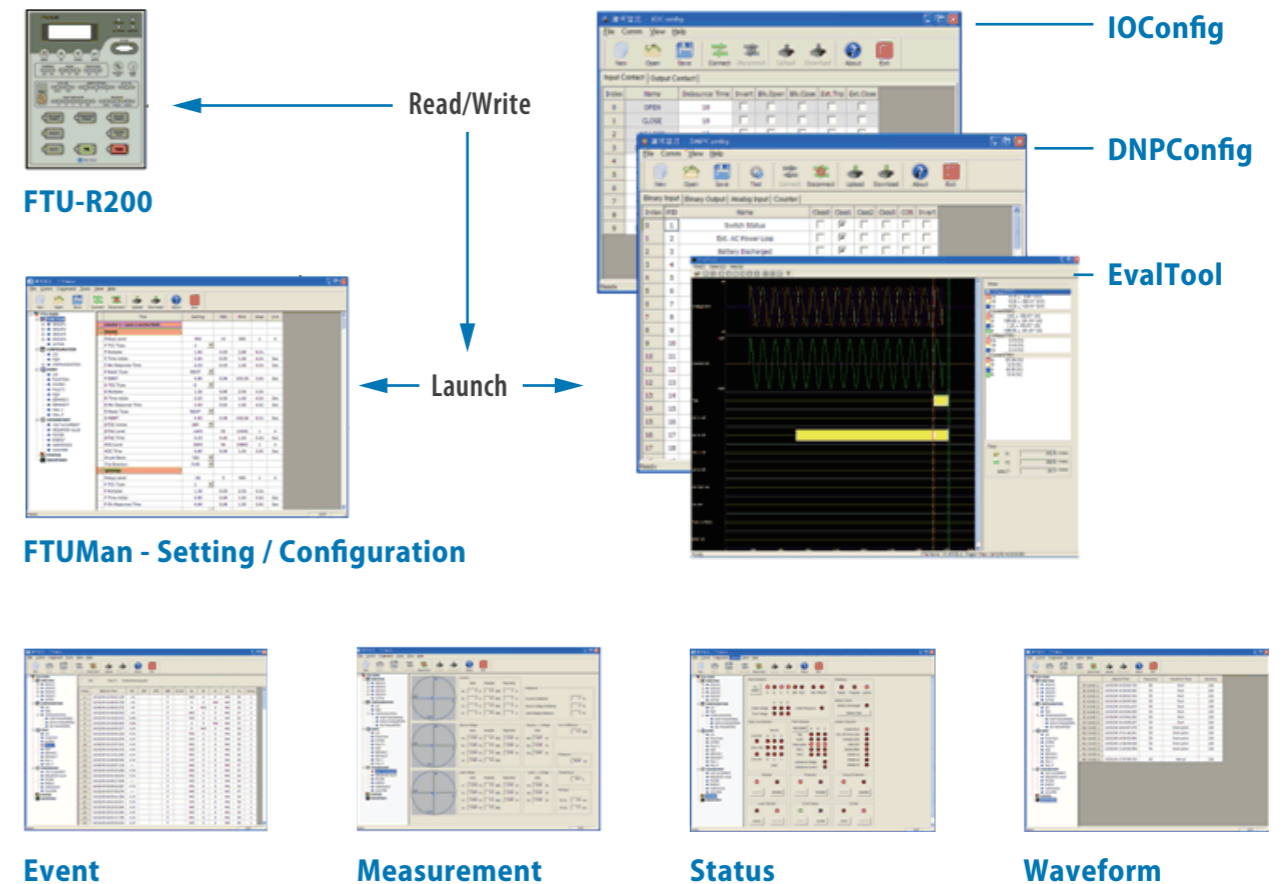
COUNTER

- Restart.
- Switch trip, Fault detection, PQM, THD.



INSULATION MATERIAL

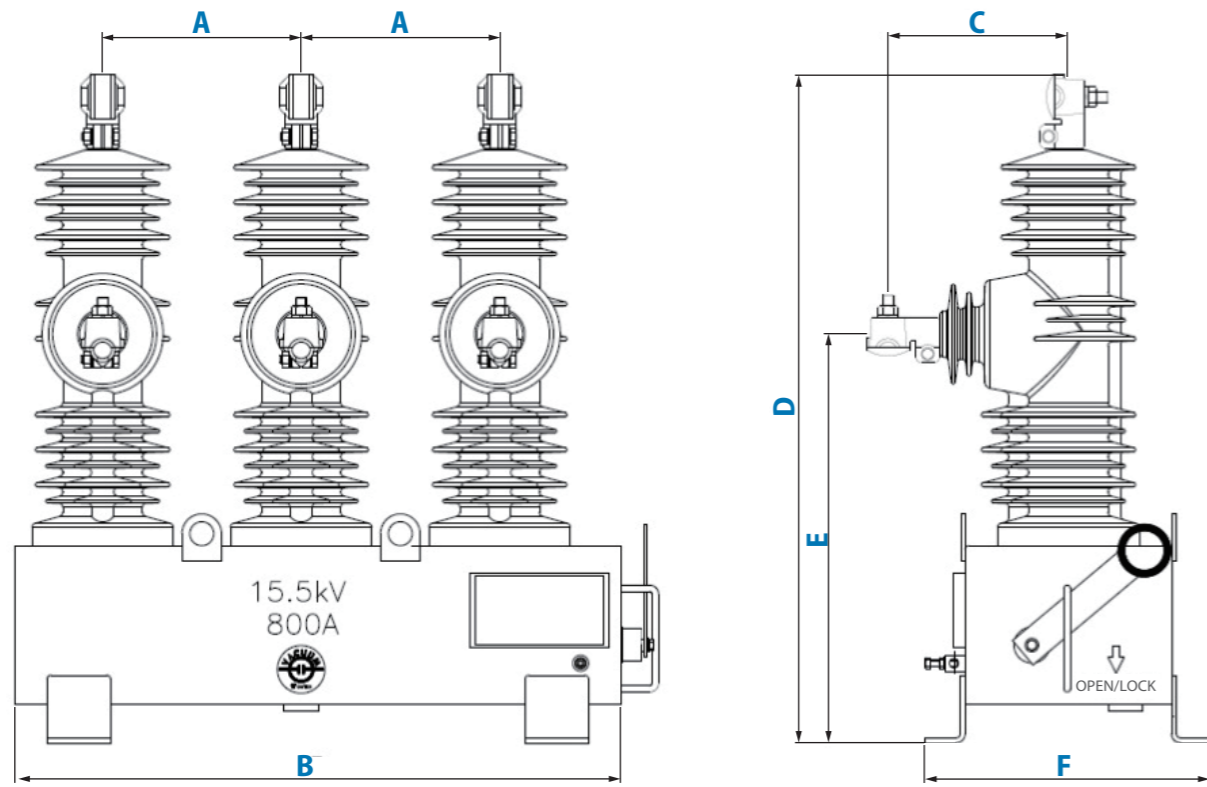
- Setting & Configuration change.
- Event & Waveform load.
- Measurement & Status display.
- Waveform File upload and convert.
- SCADA monitors protocol data frame between devices.



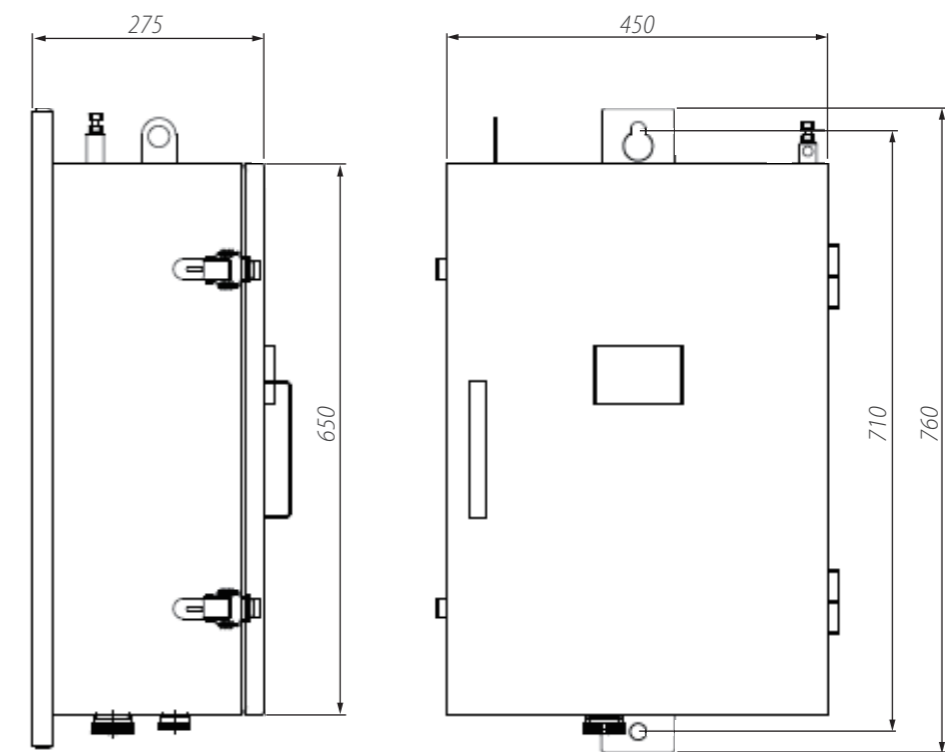
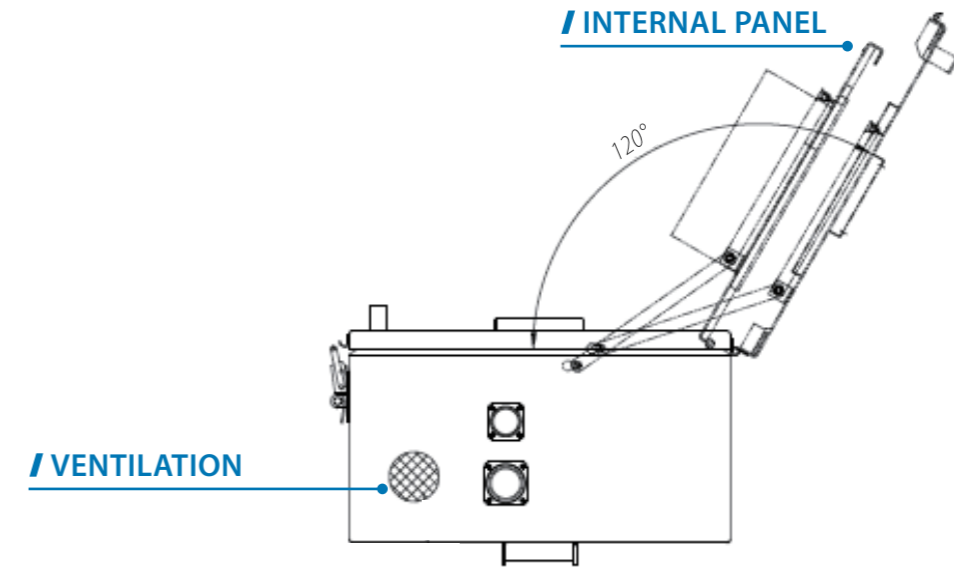
COMMUNICATION

- Telecommunication Protocol.
 - DNP3.0, Modbus, IEC60870-5-101/104
- Two of RS232 and RS485(Option), USB port (Option), RJ45(T10/100).

DRAWING



	A	B	C	D	E	F
15.5KV	250	762	227	840	514	370
27KV	290	842	253	910	561	370
38KV	320	942	370	1080	683	390





CHARDON TAIWAN CORPORATION

191-28, Gajang-ro, Jeongnam-myeon, Hwaseong-si,
Gyeonggi-do, 445-962, SOUTH KOREA

Tel : +82-10-8875-9241 / +82-10-8928-9074

Fax : +82-31-354-6207

www.chardongroup.com • info@chardongroup.com